



# SERVICE PARTS LIST

**BULLETIN NO.**  
54-02-0101

SPECIFY CATALOG NO. AND SERIAL NO. WHEN ORDERING PARTS		REVISED BULLETIN	DATE
1/2 TON HAND CHAIN HOIST		54-02-0100	Dec.'90
CATALOG NO. 9500, 9501, 9502	DATE CODE MY 8612	WIRING INSTRUCTION <b>NONE</b>	

**EXAMPLE:**  

00	0
----	---

 Component Parts ( Small #)  
 Are Included When Ordering  
 The Assembly (Large #).

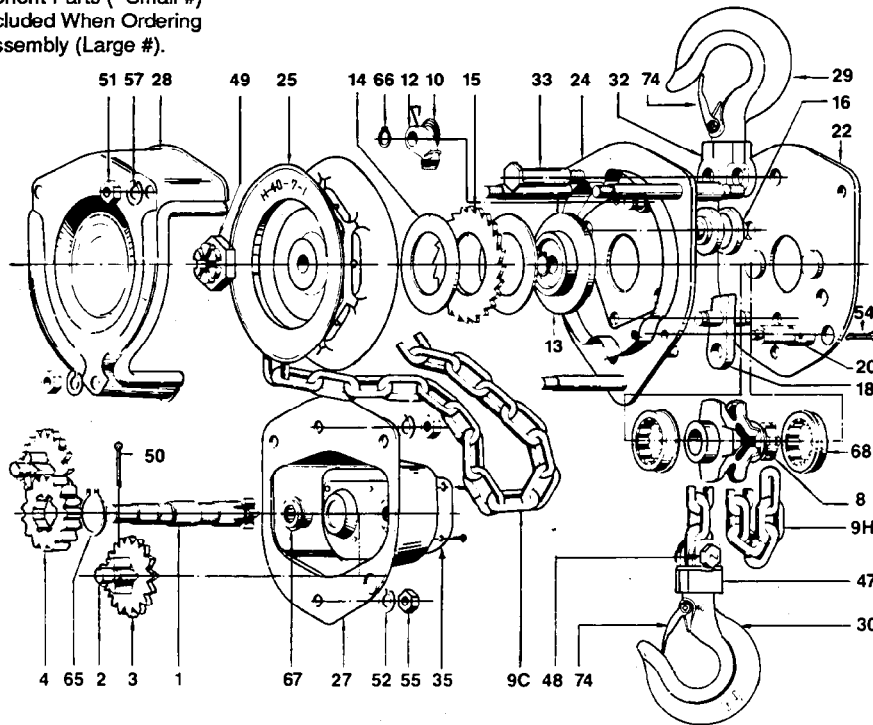


FIG.	PART NO.	DESCRIPTION OF PART	NO. REQ.
	1	Pinion Shaft	(1)
	2	Pinion Gear Assy. (Incl. Fig. No.3) (Set of 2)	(1)
★	4	Load Gear	(1)
★	8	Load Sheave	(1)
	10	Pawl Kit (Incl. Fig. No. 66& 12)	(1)
	13	Disc Hub	(1)
	14	Friction Disc	(1)
	15	Ratchet	(1)
	16	Chain Guide Plate (Incl. Fig. 18 & 20)	(1)
	22	Gear Side Plate	(1)
	24	Wheel Side Plate	(1)
	25	Hand Wheel	(1)
	27	Gear Cover	(1)
	28	Hand Wheel Cover	(1)
	30	Bottom Hook Assembly (Incl. Fig 47, 48 & 74)	(1)
	33	Yoke Pin	(1)
	48	Chain Fastening Bolt Assembly	(1)
	67	Pinion Bearing (Set of 4)	(1)
	68	Sheave Bearing (Set of 2)	(1)
	74	Hoist Latch Kit	(2)

FIG.	PART NO.	DESCRIPTION OF PART	NO. REQ.
<b>(For Catalog 9500 Only)</b>			
	35	12-40-0010 Nameplate	(1)
	9H	42-60-0210 1/2 Ton 10 Ft. Lift Chain	(1)
	9C	42-60-0200 Hand Chain For 10 Ft. Lift	(1)
<b>(For Catalog 9501 Only)</b>			
	35	12-40-0015 Nameplate	(1)
	9H	42-60-0215 1/2 Ton 15 Ft. Lift Chain	(1)
	9C	42-60-0340 Hand Chain For 15 Ft. Lift	(1)
<b>(For Catalog 9502 Only)</b>			
	35	12-40-0020 Nameplate	(1)
	9H	42-60-0220 1/2 Ton 20 Ft. Lift Chain	(1)
	9C	42-60-0345 Hand Chain For 20 Ft. Lift	(1)

14-47-0060	Hoist Fastener Repair Kit Includes Fig. 49, 50, 51, 52, 54, 55, 57 & 65
------------	---